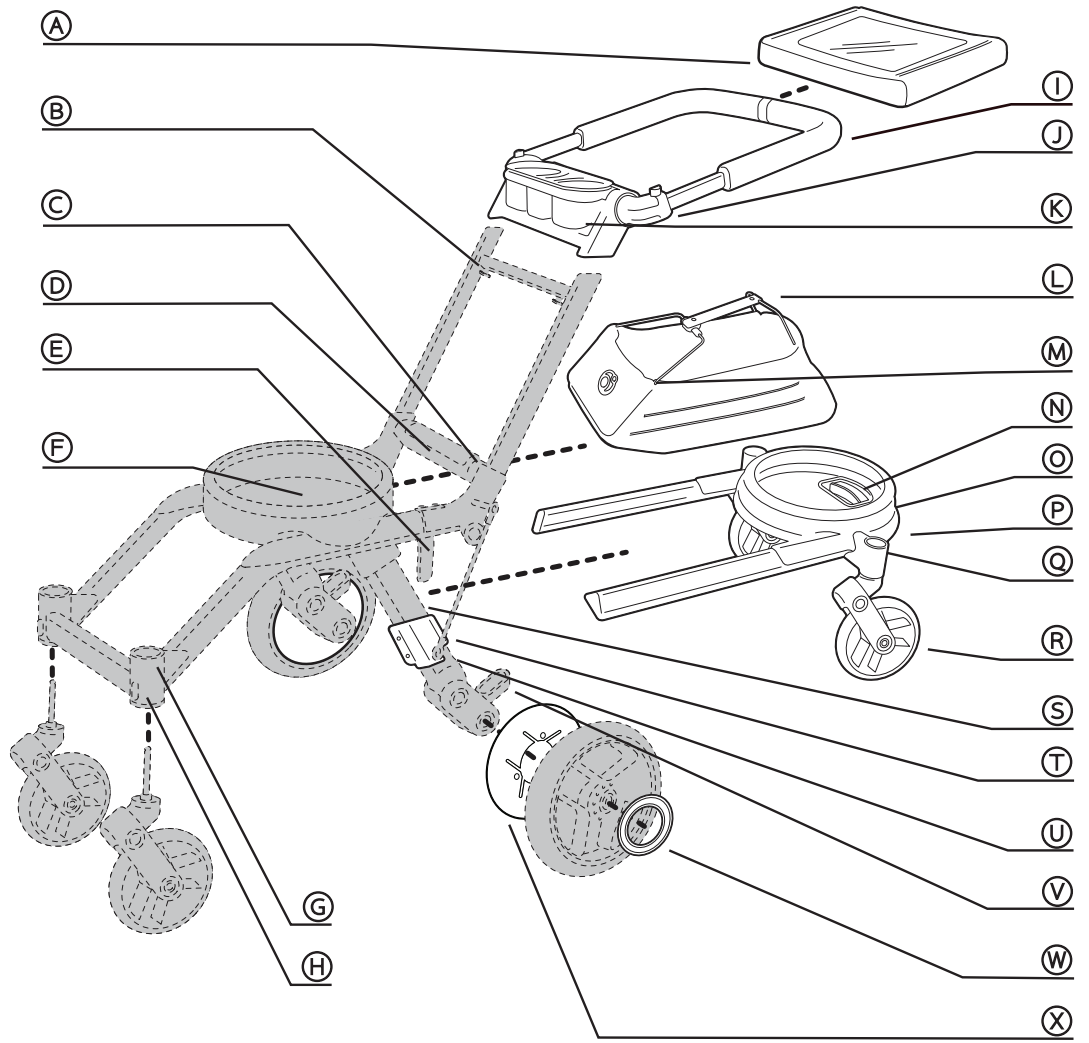
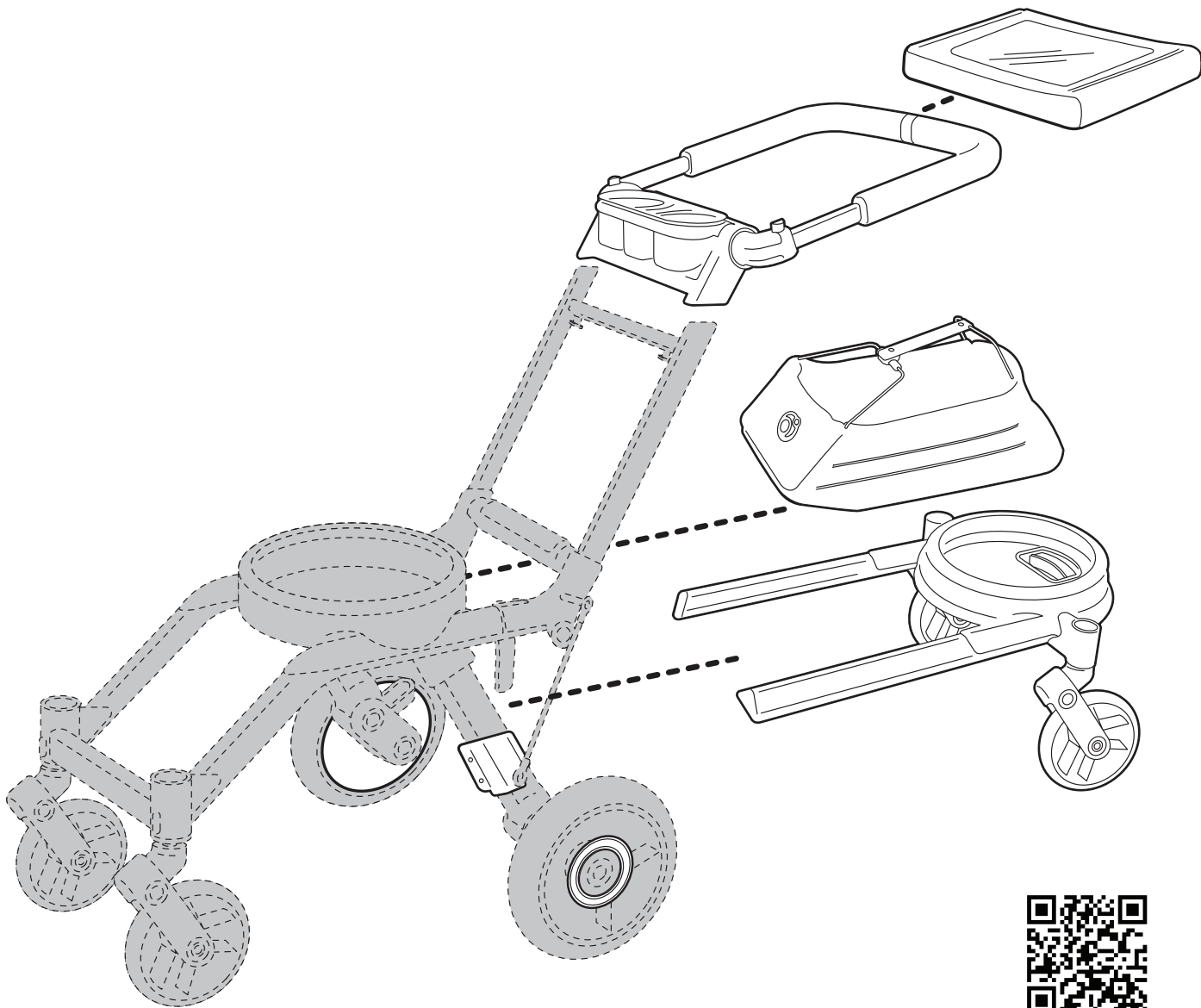




Helix Plus™ Double Stroller

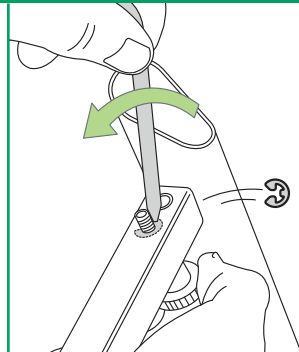
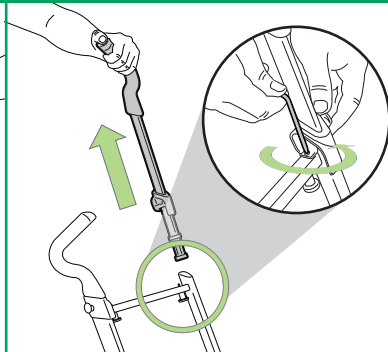
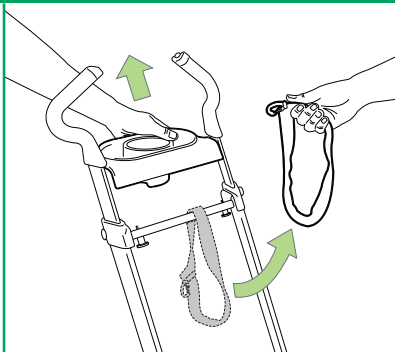
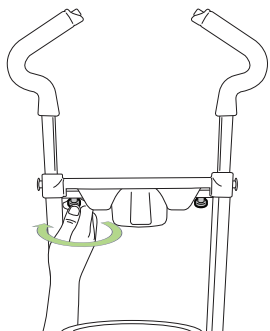
Upgrade Kit for Stroller **G2**



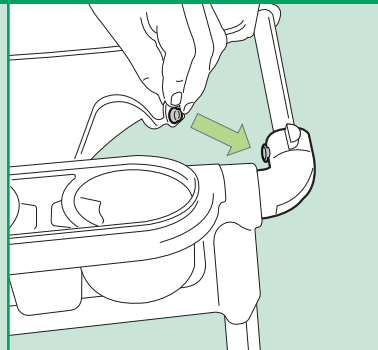
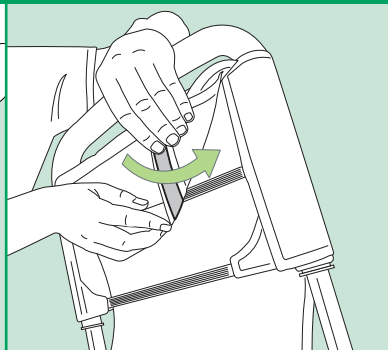
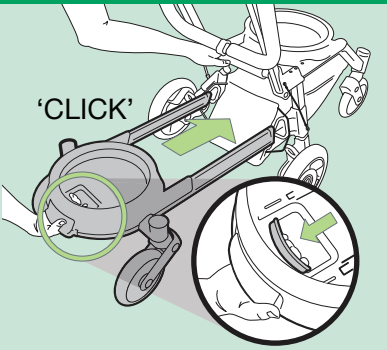
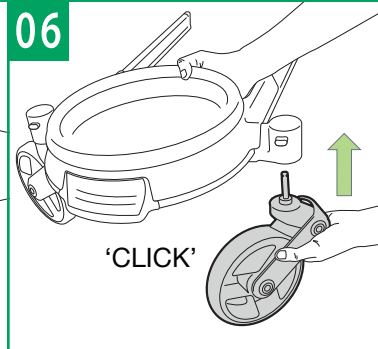
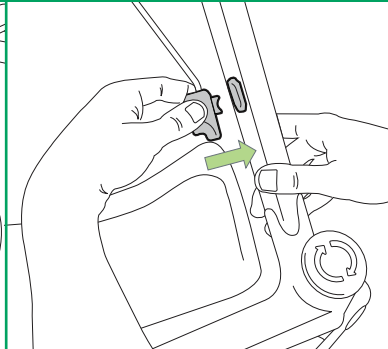
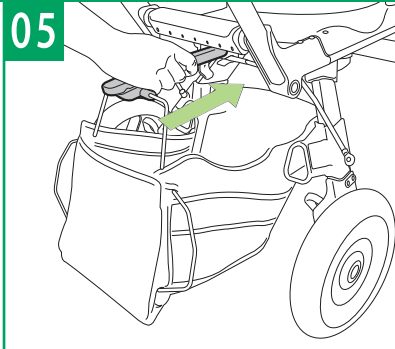
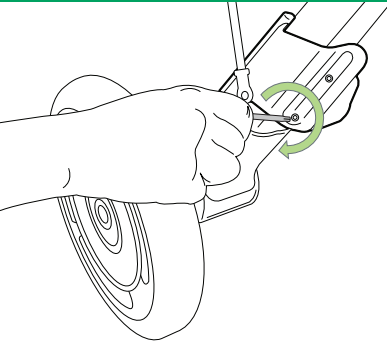
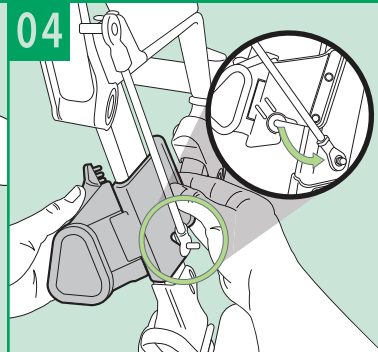
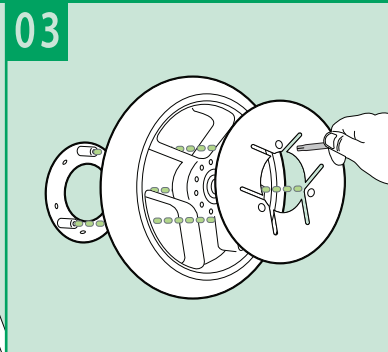
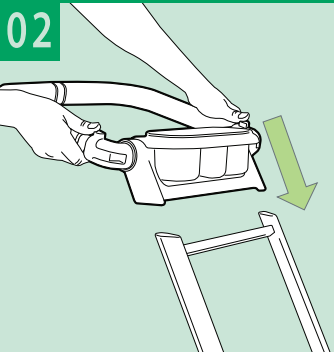




01

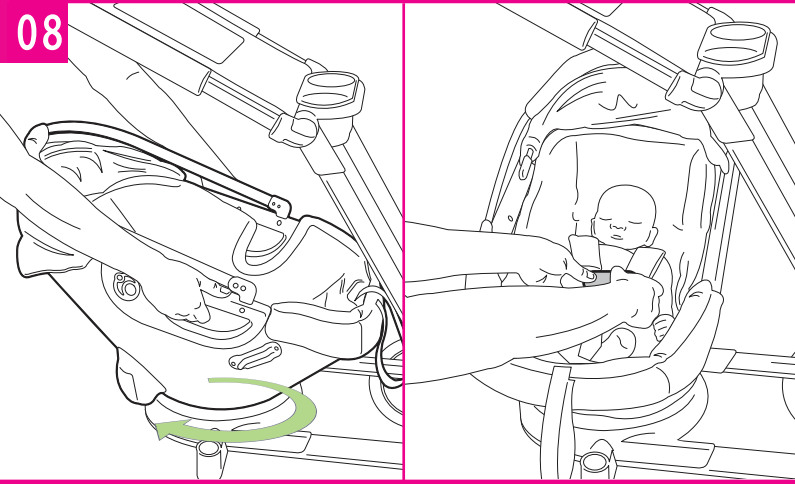


02

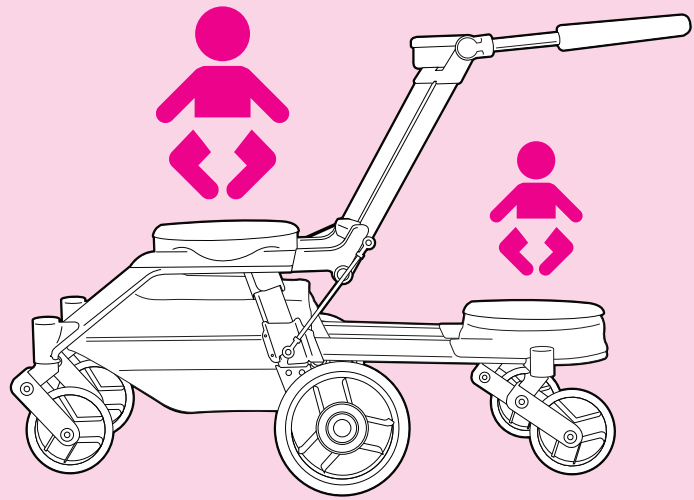
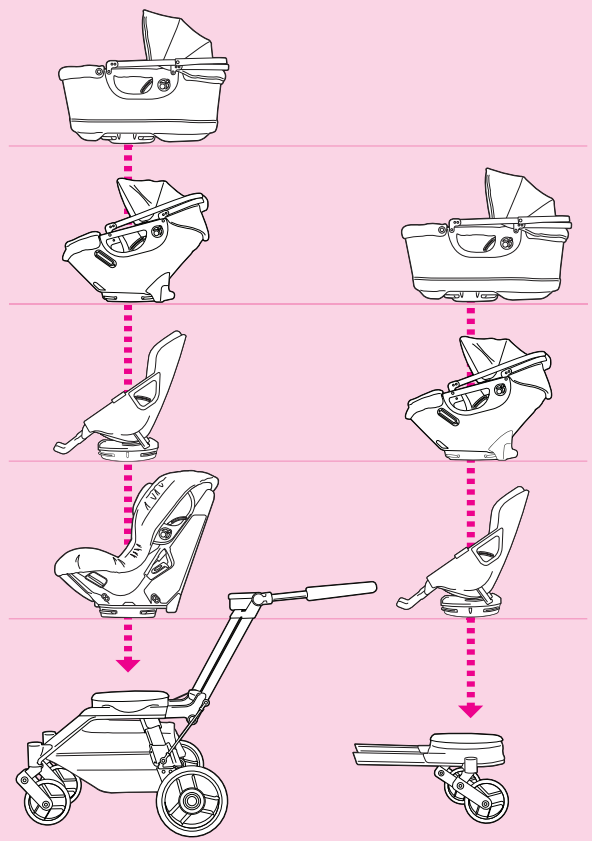
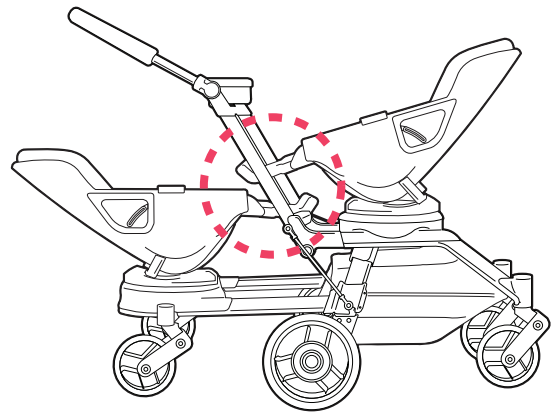


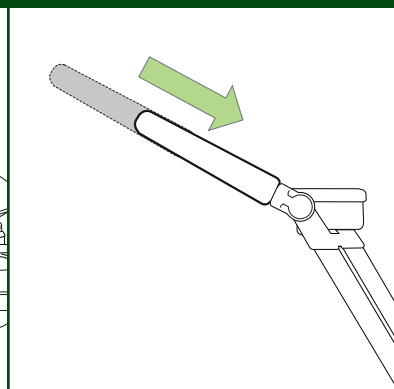
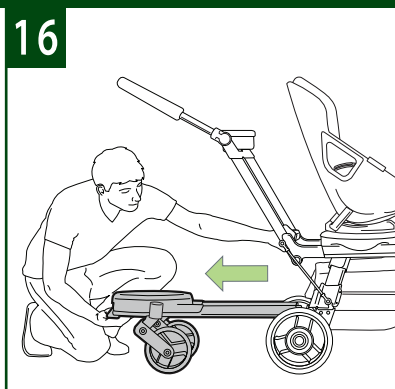
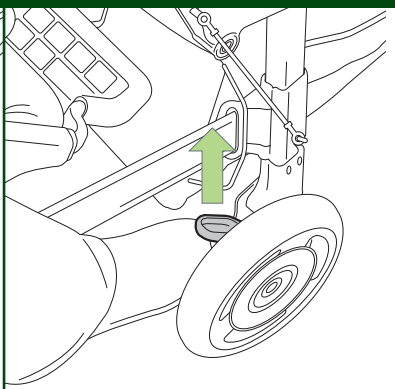
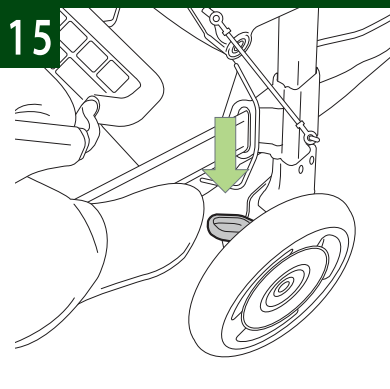
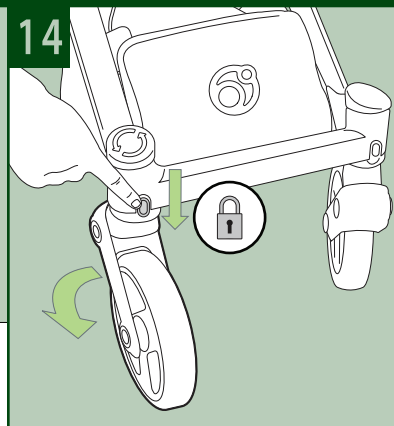
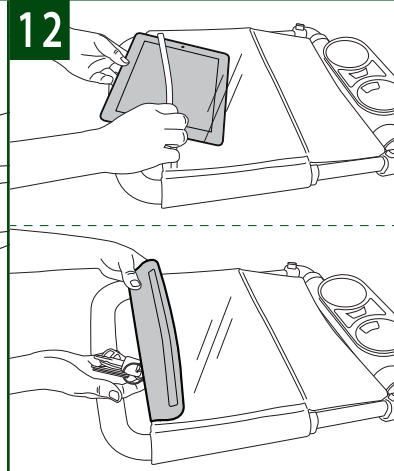
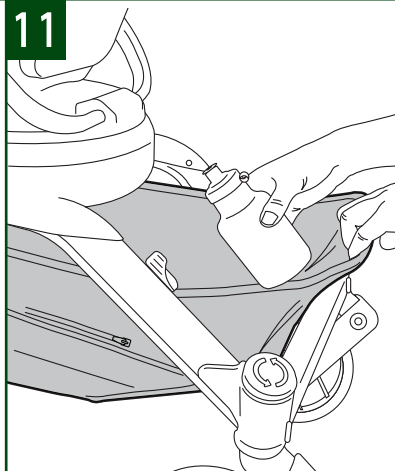
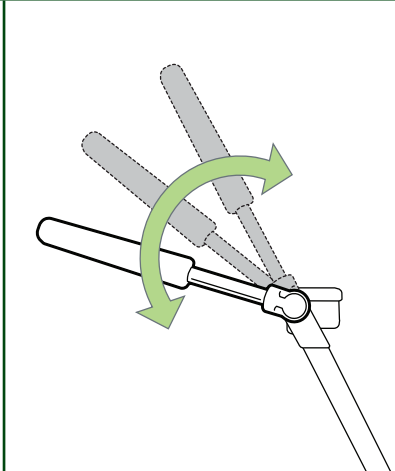
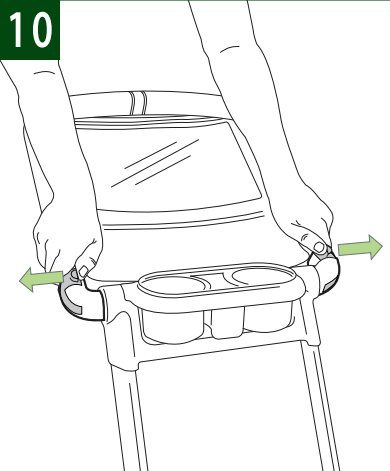


08



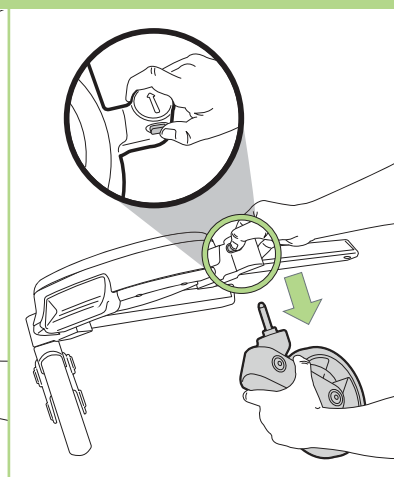
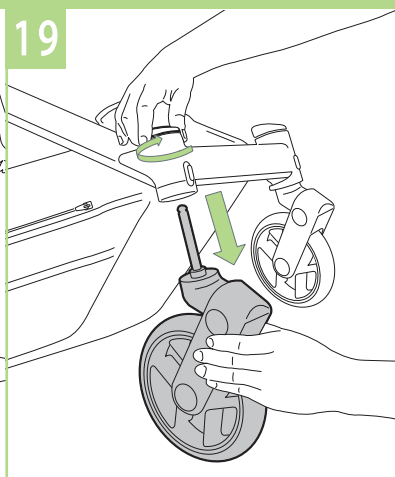
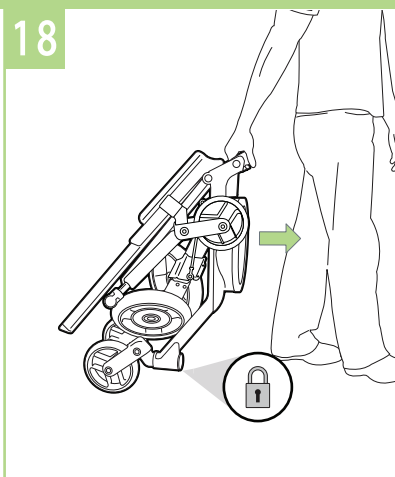
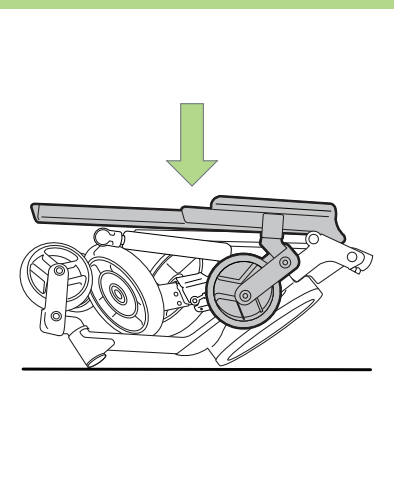
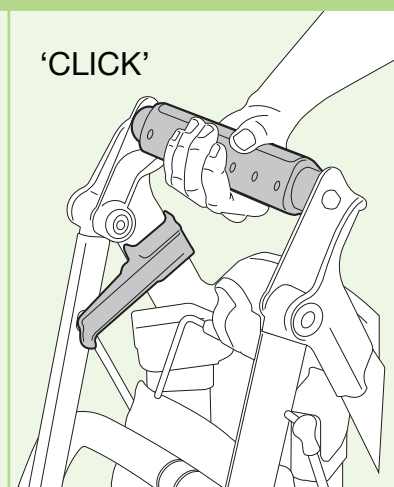
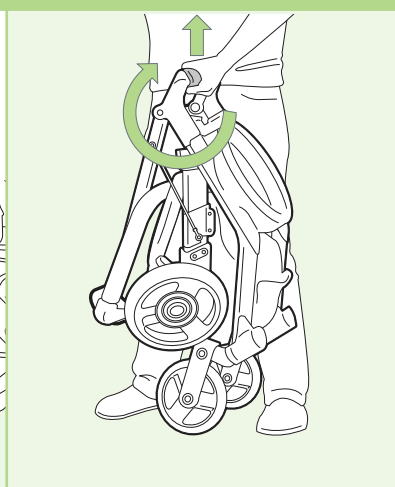
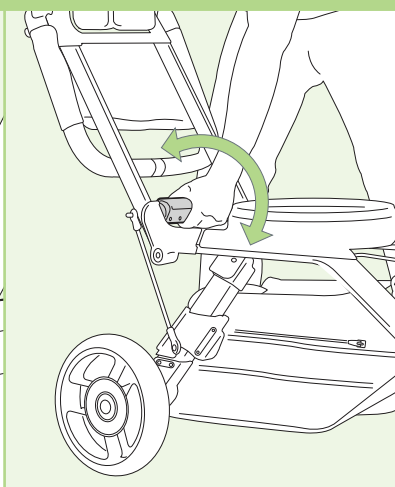
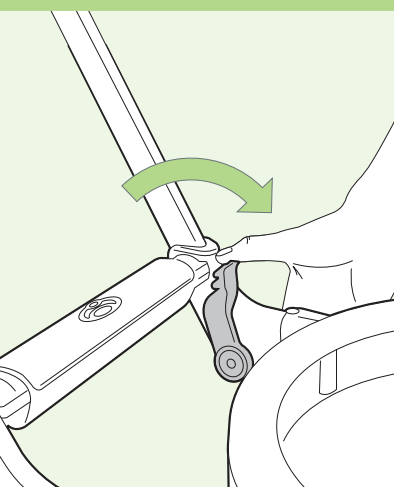
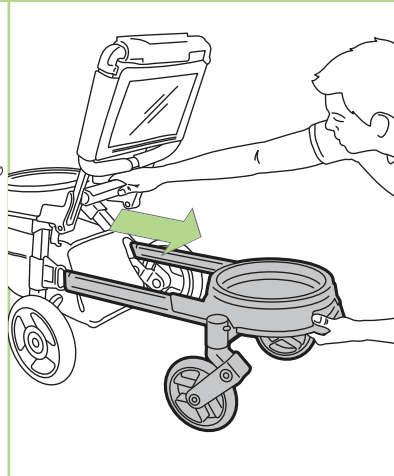
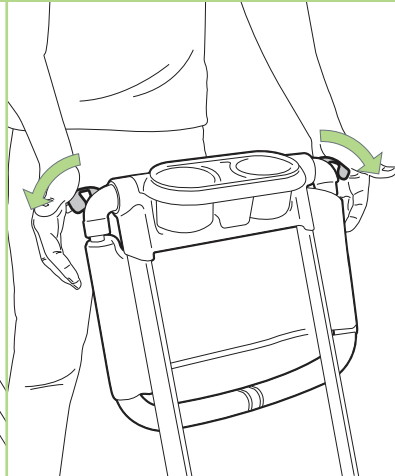
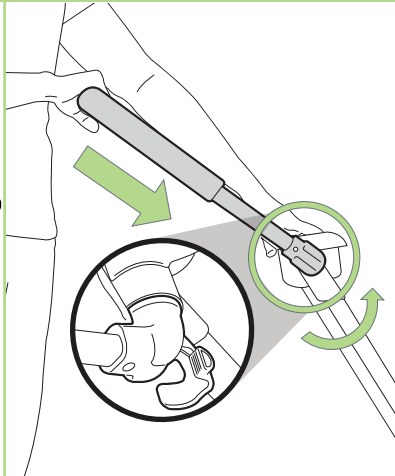
09







17





orbit green: Certified Fabric



orbit[®]
orbit baby[®]
HELIX+[™]

www.orbitbaby.com

ORB300007 | Rev. 6.0 | 2012JUN
©2012 Orbit Baby, Inc. All rights reserved.

U.S. Pat. Nos. 7,338,122, 7,559,606, 7,789,413, and D592,109. Other Patents Pending. European Patent Application No. 05751808.6.

Orbit Baby®, the Orbit Design®, Orbit®, SmartHub®, StrongArm®, Paparazzi Shield®, and Sidekick® are registered trademarks of Orbit Baby Inc. in the United States and other countries.

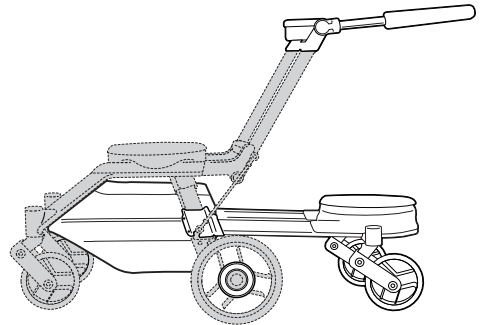
QuadShock™, Double Helix™, Helix+™, Helix2™, ShadePad™, 3DRotation™, OrganicFR™, Side Impact Braces™, Cargo Pod™, and orbitgreen™ are trademarks of Orbit Baby, Inc.



orbit baby



Scan this code with your mobile phone to access the most updated manual and see other helpful videos.

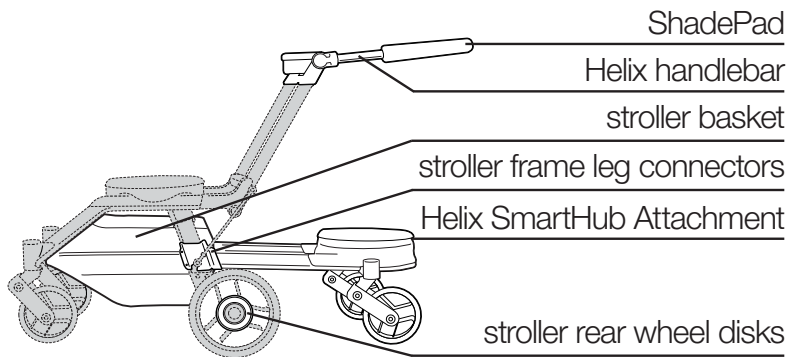


Helix Plus Double Stroller

Upgrade Kit for Stroller **G2**

Important: Read these instructions carefully before use and keep them for future reference. Your children's safety may be affected if you do not follow these instructions.

The **Orbit Baby Helix Plus Double Stroller Upgrade Kit** is made up of eight parts, the **Helix SmartHub Attachment**, the **Helix handlebar**, two **stroller frame leg connectors**, two sets of **stroller rear wheel disks**, a **stroller basket** and a **ShadePad**.



Using this Instruction Manual:

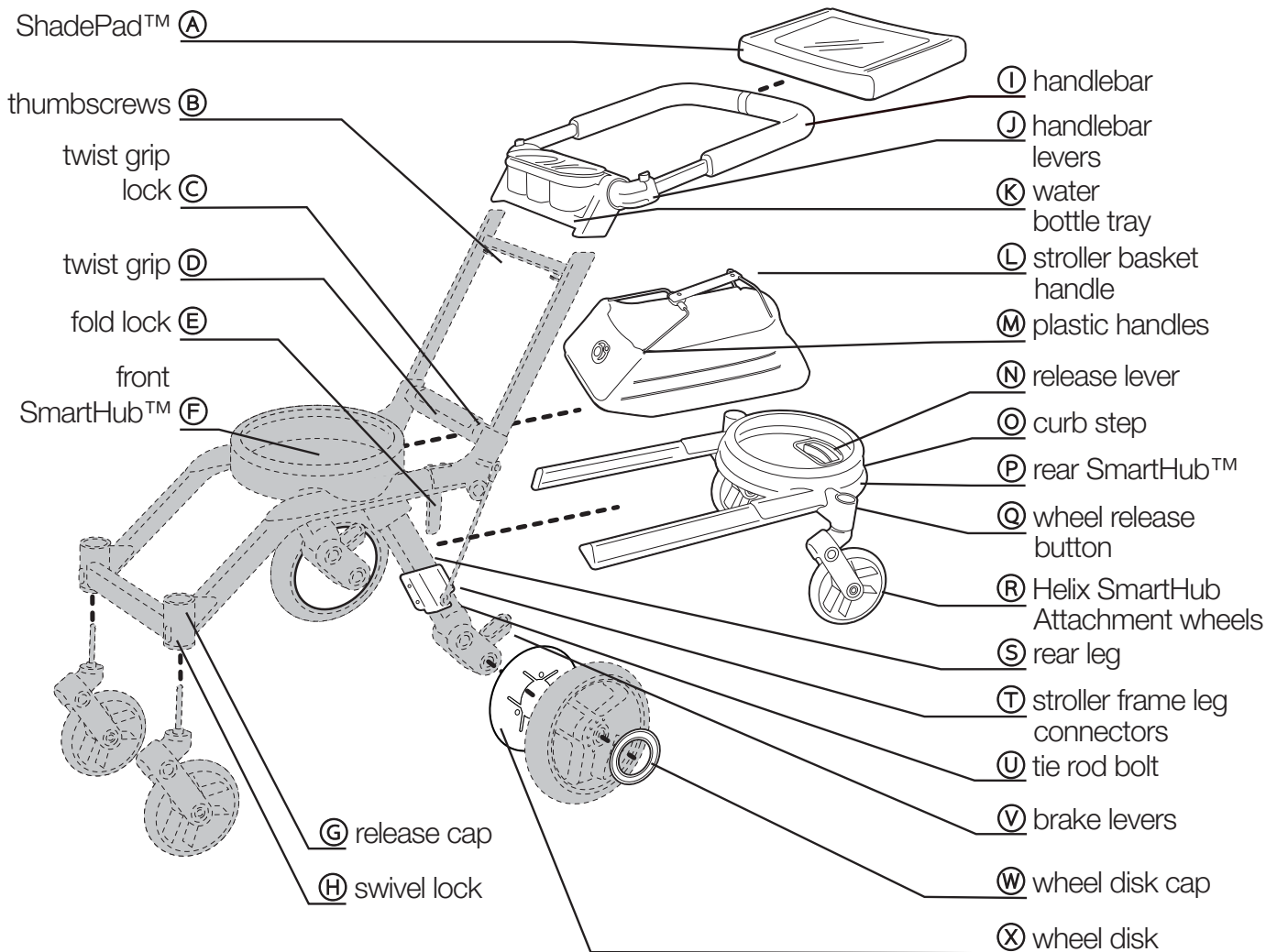
Each step is described in both text in this booklet, and illustrations in the manual foldout. Numbers like **01** in this booklet refer to the related sections in the manual foldout. Boxes like in this booklet refer to individual steps illustrated in sections of the manual foldout.

Letters like **A** refer to the product parts identified on the labeled illustrations located both in this booklet and in the manual foldout.

Some generic product names may differ by country. *Stroller* may be called *pushchair*. *Bassinet* may be called *carry cot*. *Bassinet on a stroller frame* may be called *pram*. *Rocker* may be called *stand*.

In this manual, the word *seats* refers to all Orbit Baby products that can be docked into that particular SmartHub position. For example, *seats*, when referring to the rear SmartHub, refers to the bassinet, stroller seat and infant car seat.

All product specifications subject to change.



WARNING

FAILURE TO FOLLOW THESE WARNINGS AND THE INSTRUCTIONS COULD RESULT IN SERIOUS INJURY OR DEATH

- Do not let others use the Orbit Baby Helix Plus Double Stroller Upgrade Kit or other connected Orbit Baby products unless they understand how to properly use them.
- Do not use the stroller if any parts are damaged, broken or missing. If the instruction manual is missing or you need replacement parts or assistance, see the contact information included with this manual.

PREVENT SERIOUS INJURY OR DEATH

- NEVER leave your child unattended.
- Always provide the supervision necessary for the continued safety of your child.
- Stroller must be fully erected and locked in position prior to use.
- Maximum child weight for the seat on the front SmartHub is 40 lbs (18 kg). Maximum child weight for the seat on the rear SmartHub is 40lbs (18 kg). Maximum child height for the seat on the rear SmartHub is 34 in (86 cm). Note that 34 in (86 cm) is a reduced height limit for the stroller seat when using it on the rear SmartHub.
- Never use the Orbit Baby Toddler Car Seat or Toddler Car Seat G2 on the rear SmartHub. Use the Orbit Baby Toddler Car Seat or Toddler Car Seat G2 only on the front SmartHub.

FALL HAZARD: Avoid serious injury from falls or tipover.

- Always make sure the Helix SmartHub Attachment is securely locked into the stroller frame leg connectors before placing your child into the stroller or starting to stroll. Pull backwards on the Helix SmartHub Attachment and check that the red stripes on both sides are NOT visible.
- Adult control required. Do not allow your child to stand on, sit on or play with the Helix SmartHub Attachment. It is not a toy.
- Never let your child climb into or out of a seat unassisted.
- Always make sure the stroller seat, infant car seat or bassinet on the Helix SmartHub Attachment is locked in the forward-facing position before strolling. Side-facing locked positions are for stationary use only.

WARNING

FALL HAZARD: Avoid serious injury from falls or tipover.

- Always remove or adjust the topmost seat to avoid loss of control. Always rotate the seat to the side before lifting to remove it from the stroller. If not rotated, seats can overlap, interfering with removal and possibly cause a loss of control and the seat to be dropped.
- DO NOT use stroller on stairs or escalators with children in it.
- DO NOT lift or carry stroller by the water bottle tray or Helix SmartHub Attachment.

PREVENT STROLLER TIPOVER AND CHILD'S SUDDEN CONTACT WITH STROLLER:

- Use caution when maneuvering curbs and irregular surfaces. Use curb breaks whenever possible. If one is not available, move over the curb slowly with the stroller perpendicular to the curb. To lift the stroller onto the curb, pull back on the handlebar and push forward with one foot on the Helix Attachment curb step to lift the stroller onto the curb. Do not allow the stroller to drop off the curb.

PREVENT STROLLER TIPOVER:

- Do not place parcels or accessory items in the stroller unless made by or specifically approved by Orbit Baby. Added parcels or accessory items can make the the stroller become unstable.
- Do not place more than 1 lb (0.5 kg) in the water bottle tray. Excessive weight may cause a hazardous unstable condition to exist.
- Do not place more than 1.5 lb (0.7 kg) in the ShadePad. Excessive weight may cause a hazardous unstable condition to exist.

AVOID BURN INJURY:

- Never use the water bottle tray to hold hot liquids. These liquids may splash and spill onto you or your children and cause injury.

AVOID LOSS OF CONTROL OF THE STROLLER:

- Always use front wheel swivel locks when pushing the stroller on uneven terrain.
- Use caution when pushing stroller on uneven terrain or hills.
- Always lock the parking brake when the stroller is stopped.
- NEVER leave the stroller unattended on a hill or incline even when the stroller brake is locked.

AVOID PINCH INJURY:

- Keep fingers clear of stroller when folding and unfolding the stroller.
 - Keep your children's hands and fingers clear of moving parts when adjusting the stroller or handlebar.
 - Keep your children's arms, legs and feet clear when rotating seats and adjusting seat recline.
-
- Use caution when pushing stroller near traffic or in highly congested areas.

**Getting Started**

Remove all the parts from the box. You should have received a Helix SmartHub Attachment, two (2) Helix SmartHub Attachment wheels, a handlebar, two (2) stroller frame leg connectors, two (2) sets of stroller rear wheel disks, a stroller basket, a ShadePad and a Phillips screwdriver tool. These parts are illustrated in your manual foldout. Note that the fasteners needed for installation are loosely screwed into the various parts to help you keep track of where they go. You will need to remove these fasteners before installing each part.

 **WARNING** **PINCH HAZARD:**

- Avoid injury from pinching or finger entrapment. Keep children away when unfolding the stroller. Keep your hands clear of moving parts when folding and unfolding the stroller.
-
- Stroller must be fully erected and locked in position prior to use. Listen for the audible CLICK to confirm that it is fully deployed.
 - Use care when removing the thumbscrew snap rings as they can fly through the air. Remove children from the area where you are working and wear proper eye protection. Account for both snap rings and properly dispose of them as they can pose a choking hazard for children.

01 Removing your old handlebars

- Start with your stroller frame open and erect. Completely unscrew both thumbscrews **(B)** under the Orbit Baby Stroller G2 water bottle tray.
- Remove the old water bottle tray by pulling up firmly. Remove the stroller strap.
- Using the included Phillips screwdriver tool, remove the screw that holds the left water bottle bushing and handlebar in place. Then remove the screw on the other side in the same manner. Push down on the left handlebar button and pull up on the handlebar to remove it from the stroller frame. Remove the right handlebar in the same manner.
- Remove the thumbscrews by taking off the small snap rings that hold them in place. Insert the tip of the included Phillips screwdriver tool or a ballpoint pen into the small openings in the snap ring and lever outward.

WARNING

- Proper assembly is required. Check that handlebar is properly installed and fasteners are tight.

02 Installing your new handlebar



- Remove the two loose Phillips screws in the bottom of the handlebar assembly. Install the new handlebar assembly by sliding the water bottle tray **(K)** onto the exposed aluminum handlebar tubes. Push the water bottle tray down until it covers the square cross tube and cannot be pushed down further.
- Using the included Phillips screwdriver tool, install the two screws through the square cross tube and thread them into the silver fittings in the handlebar assembly. **Tighten completely.**

WARNING

- Proper assembly is required. Check that wheel disks are properly installed and fasteners are tight. Shake rear wheels after installation to ensure neither the disk nor the cap move or rattle.

03 Installing your wheel disks




- Remove both rear wheels from the stroller frame by pulling down on the bent metal tab behind the wheel and pulling the wheel outwards. Remove the three Phillips screws that are loosely fastened

into the wheel disk using the included Phillips screwdriver tool. Insert a wheel disk  into the inside of each wheel, lining up the spokes and slots in the wheel disk. Insert the wheel disk cap  on the outside of each wheel lining up the screw holes with the bosses on the wheel disk. Using the included Phillips screwdriver tool, fully tighten the three mounting screws to secure the wheel disks and caps to the rear wheels. Check your installation by shaking the rear wheel and ensuring neither the disk nor the cap move or rattle.



WARNING

- Proper assembly is required. Check that leg connectors are properly installed and fasteners are tight. Pull on leg connectors to confirm they are secure.

04 Attaching the stroller frame leg connectors

- Open one of the stroller frame leg connector  assemblies by removing the two Phillips screws that are loosely threaded into the connector using the included Phillips screwdriver tool. Position each leg connector against its corresponding rear stroller frame leg, so that the triangular Helix SmartHub Attachment openings are on the inside of the rear leg . Slide the open leg connector over the rear leg and around the tie rod bolt .
- Close the leg connector over the rear stroller frame leg. Using the Phillips screwdriver tool, fully tighten the two mounting bolts to secure the connector in place. Check your installation by twisting on the connector to ensure it does not move. Repeat with the other connector.

05 Attaching the stroller basket

- Insert the stroller basket handle  into the rail on the underside of the front SmartHub. You will hear a CLICK when it locks in place.
- Expose the plastic handles  through the opening in the basket fabric and then fix the front of the stroller basket to the stroller frame by inserting the plastic handles one at a time into the openings on the front part of the stroller frame.

WARNING

PINCH HAZARD:

- Avoid injury from pinching or finger entrapment. Keep children away when inserting the Helix SmartHub Attachment. Keep your hands clear of moving parts when inserting and removing the Helix SmartHub Attachment.

FALL HAZARD:

- Always check that the Helix SmartHub Attachment is securely locked into the stroller frame leg connectors before placing your child into stroller or starting to stroll. Pull backwards on the Helix SmartHub Attachment and check that the red stripes on both sides are NOT visible.

06 Assembling and attaching the Helix SmartHub Attachment

- Insert the two Helix SmartHub Attachment wheels (R). You will hear a CLICK when they are locked in place.
- Grasp the Helix SmartHub Attachment with one hand while holding the stroller frame with your other hand. Pull on the release lever (N) and guide both tube ends into the stroller frame leg connectors (T) until they are fully inserted. You will hear a CLICK when the Helix SmartHub Attachment is locked in place.

07 Attaching the ShadePad

- Grasp the ShadePad (A) by its sides and slide it over the handlebar while pulling it wide open, until the ShadePad lines up with the end of the foam grip. Ensure that the clear window faces upward and the flap with two snaps faces the handlebar.
- Attach the strips of hook and loop fastener on the underside of the ShadePad. Make sure that in doing so the upper two elastic bands remain covered.
- Snap both corners of the ShadePad to the water bottle tray (K).

Assembly of the Orbit Baby Helix Plus Double Stroller Upgrade Kit is now complete.



Using your Orbit Baby seats with the Helix Plus Double Stroller Upgrade Kit

WARNING

FALL HAZARD: Avoid serious injury from falls or sliding out.

- Restraint harness use is required for all use modes when harness is present on the product. Always secure your child to avoid serious injury from falling or sliding out. Always use both the shoulder and lap portions of the harness.
- Never let your child climb into or out of a seat unassisted.

STRANGULATION HAZARD:

- Children have **STRANGLED** in loose or partially buckled harness straps. Fully restrain the child at all times.

PINCH HAZARD:

- When docking or adjusting your seats, keep hands and fingers, especially those of children, clear of moving parts and the SmartHubs.
- Keep SmartHub areas clean. Keep all metal and plastic parts clear of objects, debris and liquids to allow proper and safe functionality.
- Listen for audible **CLICK** which indicates that seats are locked into the SmartHubs.
- Always check that the Orbit Baby seats are securely locked into the SmartHubs by tugging upwards and turning.
- Lock the stroller wheels and check stability of the stroller before placing your children in or removing your children from seats.
- Always make sure that the seat is locked in forward-facing position [front and rear SmartHubs] or rear-facing position [front SmartHub] before strolling. Side-facing locked positions are for stationary use only. Do not rotate seats when the stroller is in motion.
- Lock the parking brakes and check stability when the stroller is stationary.

08 Loading your child into the rear SmartHub seat

- Rotate the infant car seat by pulling one or both levers and rotating the seat into the sideways loading position. Rotate the stroller seat or bassinet by pulling both levers and rotating the seat to a sideways loading position.
- Place your child in the seat and secure according to the seat's instruction manual. Rotate the seat forward-facing to begin strolling.

09 Restrictions on the double stroller frame

- Never use both stroller seats in the position shown in the diagram; a child's feet could become pinched between the footrests. Avoid injury to the child in rear seat from kicking or contact with footrest on stroller seat; only use footrest adjustment position 1 when stroller seat is rear-facing on the front SmartHub.
- The Orbit Baby bassinet, infant car seat, stroller seat or toddler car seat can be used on the **front** SmartHub. The bassinet, infant car seat and toddler car seat will lock in four rotational positions. The stroller seat will lock in two rotational positions (front and rear-facing). The Orbit Baby bassinet, infant car seat or stroller seat can be used on the **rear** SmartHub. The seats must face forward for strolling but may be positioned to the side for loading.
- Maximum child weight on either SmartHub (front or rear) is 40 lbs (18 kg). Maximum height for the **rear** SmartHub is 34 in (86 cm). **Note that 34 in (86 cm) is a reduced height limit for the stroller seat when used on the Helix SmartHub Attachment.**




Using Your Double Stroller

⚠ WARNING ⚠

AVOID PINCH INJURY:

- Keep hands and fingers clear of moving parts when adjusting the handlebar.
- Always maintain control of the handlebar after opening the handlebar levers to avoid contact with the child in the rear seating position.

10 Adjusting the handlebar

- To adjust the handlebar to your desired position, **fully** open both handlebar levers  with your thumbs, rotate and/or telescope the handlebar, and then relock the handlebar levers closed.
- There are three different handlebar rotation positions (denoted with lines) and two telescoping positions (position 1 or position 2).

 WARNING 

- Do not place more than 5 lb (2 kg) in the stroller basket. Do not use the stroller basket as a child or pet carrier. Excessive weight may cause a hazardous unstable condition to exist.

11 Using the stroller basket

- To access the main compartment of the basket, pull open the front or rear stroller basket door. There are two additional zippered storage pockets on the sides of the basket.

 WARNING 

- Do not place more than 1.5 lb (0.7 kg) in the ShadePad. Excessive weight may cause a hazardous unstable condition to exist. Always ensure that the tablet window zipper is closed before strolling or adjusting the handlebar position. Always remove your mobile phone or tablet computer prior to folding the stroller frame.

12 Using your ShadePad


- Open the zipper to access the tablet pocket. Open the flap closest to the top of the handlebar to access the inside pocket.

 WARNING 

PREVENT STROLLER TIPOVER AND CHILD'S SUDDEN CONTACT WITH STROLLER:

- Use caution when maneuvering curbs and irregular surfaces. Use curb breaks whenever possible.

13 Maneuvering your stroller up and down curbs

- Always look for and use a curb break or ramp if possible. If none is available, stroll up to the curb until both front wheels are almost touching it.
- Lift the front wheels over the curb by pushing forward with one foot on the curb step  of the Helix SmartHub Attachment and pulling back on the handlebar with both hands.
- Push forward to get the remaining wheels up the curb.

To go down a curb, slowly drive each set of wheels off the curb holding the handlebar to minimize any movement of your children in the seats.

WARNING

- ALWAYS use the front wheel swivel locks when pushing the stroller on uneven terrain.
- Use caution when pushing the stroller on uneven terrain or hills.


14 Locking the front wheels

- For bumpy terrain, use the front wheel swivel locks . To lock the front wheel forward-facing, press down on the front wheel swivel lock button. To unlock, push up on the same button.

WARNING

- ALWAYS lock the parking brake when the stroller is stopped.
- NEVER leave the stroller unattended on a hill or incline even when parking brake is locked.

15 Using the stroller brakes

- Lock the brakes by pressing firmly down on either brake lever  with your foot. Be sure that the brake is engaged by gently rocking the stroller.
- Unlock the brakes by pulling up on either brake lever.

⚠ WARNING ⚠

- ALWAYS remove your child from the rear SmartHub seat before removing the Helix SmartHub Attachment from the stroller.
- Always remove the Helix SmartHub Attachment before attaching the Orbit Baby Sidekick Stroller Board to the rear wheels. Child must hold on to stroller handlebar when riding or standing on the Sidekick.

PINCH HAZARD:

- Keep child's hands clear of all moving parts when making adjustments or docking the seat.

16 Converting your stroller into single mode

- Remove the Helix SmartHub Attachment by grasping the release lever **(N)** and pulling back.
- Set the handlebar in the single position by **fully** opening both handlebar levers **(J)**, pushing the handlebar forward, and locking the handlebar levers closed.

The Orbit Baby Sidekick Stroller Board can be used in this mode.

 Traveling and Storage**⚠ WARNING ⚠****PINCH HAZARD:**

- Keep children clear of the stroller when folding or unfolding it.
- Keep your hands and fingers clear of moving parts as you fold the stroller.
- Do not allow children to touch or climb on the folded stroller.

17 Folding the double stroller frame

- Remove children from both seats. Undock the seats from the SmartHubs and set aside where children cannot access them.

- Remove contents from the stroller basket and ShadePad. To prepare the handlebar for folding, **fully** open both handlebar levers, push the handlebar to its shortest position, rotate the handlebar down towards you so it touches against the frame.
- Lock both handlebar levers closed.
- Remove the Helix SmartHub Attachment by grasping the release lever and pulling back.
- Release the twist grip lock ③ on the stroller frame.
- Grasp the twist grip ④ on the stroller frame.
- Rotate the twist grip ④ and lift to fold the stroller.
- The fold lock ⑤ will engage when the stroller is fully folded. You will hear a **CLICK**.
- To ensure the most compact folded dimensions, place the stroller frame so that the handlebar is facing up and the Helix SmartHub Attachment lies on top of the folded frame.

18 Moving the folded double stroller frame

- To tow the folded stroller on its wheels, lock the front wheel swivel locks ⑧ and pull along by the twist grip ④.

19 Packing the double stroller frame for travel or storage

- Remove both of the stroller front wheels by twisting the release cap ⑥ and pulling down on the wheel. Fold the stroller frame.
- Remove both of the Helix SmartHub Attachment wheels by pressing the release button ⑦ and pulling down on the wheel. Nest the stroller and Helix SmartHub Attachment.



Cleaning

Avoid excessive exposure to sun or heat, which may cause fading or warping. Keep the SmartHub, twist grip, stroller frame leg connectors, Helix SmartHub Attachment and handlebar mechanisms free of abrasive grime and moisture. If wet, use a soft cloth to dry. Regularly check all rivets, screws and safety devices for tightness and security. Inspect wheels and brakes and replace if necessary.

All hard goods (plastic and metal) may be wiped clean with a damp cloth. Never use bleach or detergents. Do not submerge or use running water on any metal or plastic parts of the stroller. The ShadePad and stroller basket can be spot cleaned with a clean, wet cloth and dried in place.





Helix Double Stroller Frame G2

Helix Plus Double Stroller
Upgrade Kit for Stroller **G2**

2 - USA - ENGLISH - Warranty & Contact Information

Orbit Baby Limited Customer Warranty - USA only:

- **What this Limited Warranty covers and for how long:**

Orbit Baby, Inc. ("Orbit Baby") warrants that the product accompanied by this limited warranty is free from manufacturing defects in material or workmanship for a period of two (2) years from the date of original purchase. This warranty only applies to the original purchaser of the product and only to products purchased and used in the United States of America. The limited warranty period also applies to any implied warranties that may exist under applicable law. Some States do not allow limitations on how long an implied warranty lasts, so the above limitation may not apply to you.

- **What this Limited Warranty does not cover:**

This limited warranty does not apply to: (1) defects resulting from repair (except by Orbit Baby or its authorized service representatives) or alteration of the product, (2) defects resulting from use with covers, inserts, accessories, tightening devices, or other components not supplied by or expressly approved in writing by Orbit Baby, (3) defects resulting from misuse, including any use not in accordance with the product instructions, abuse, accident, neglect, improper maintenance or handling, or normal wear and tear, (4) defects resulting from handling by airlines or airport staff, and (5) defects such as corrosion or molding resulting from improper storage, such as storage outdoors, storage in damp environments, or storage with moisture or salt on the product.

- **What Orbit Baby will do:**

If you believe the product is defective please return it to Orbit Baby in the manner described below within the limited warranty period. If Orbit Baby determines a defect is covered by this limited warranty, Orbit Baby will, at its option, repair or replace the product or components of the product. This limited warranty extends to repaired and replacement products and components only through the end of the original limited warranty period.

- **Limitation of Remedies under Limited Warranty:**

Your remedies under this limited warranty are limited to repair or replacement of the product or components of the product. In no event will Orbit Baby or any of its retailers, dealers, distributors or resellers be liable for incidental, indirect or consequential damages relating to the product (including any repaired or replacement product or component) or its use. Some States do not allow the exclusion or limitation of incidental or consequential damages, so the above limitation and exclusion may not apply to you.

- **How State law applies:**

This limited warranty gives you specific legal rights, and you may have other rights which vary from State to State.

- **What you must do to get service under this limited warranty:**

To make a claim under this limited warranty you must first contact Orbit Baby.

Please write to: **Orbit Baby, Inc.**
8445 Central Ave.
Newark, CA 94560, U.S.A.

or call: **1-877-ORB-BABY (1-877-672-2229)**
1-510-793-5007

or email: **support@orbitbaby.com**

You must provide proof of purchase in the form of your original sales receipt in order to obtain service under this limited warranty.

If you would like to purchase spare parts, please visit www.shoporbitbaby.com.



www.orbitbaby.com

ORB380006 | Rev. 1.0 | 2012JUN

©2012 Orbit Baby, Inc. All rights reserved.